

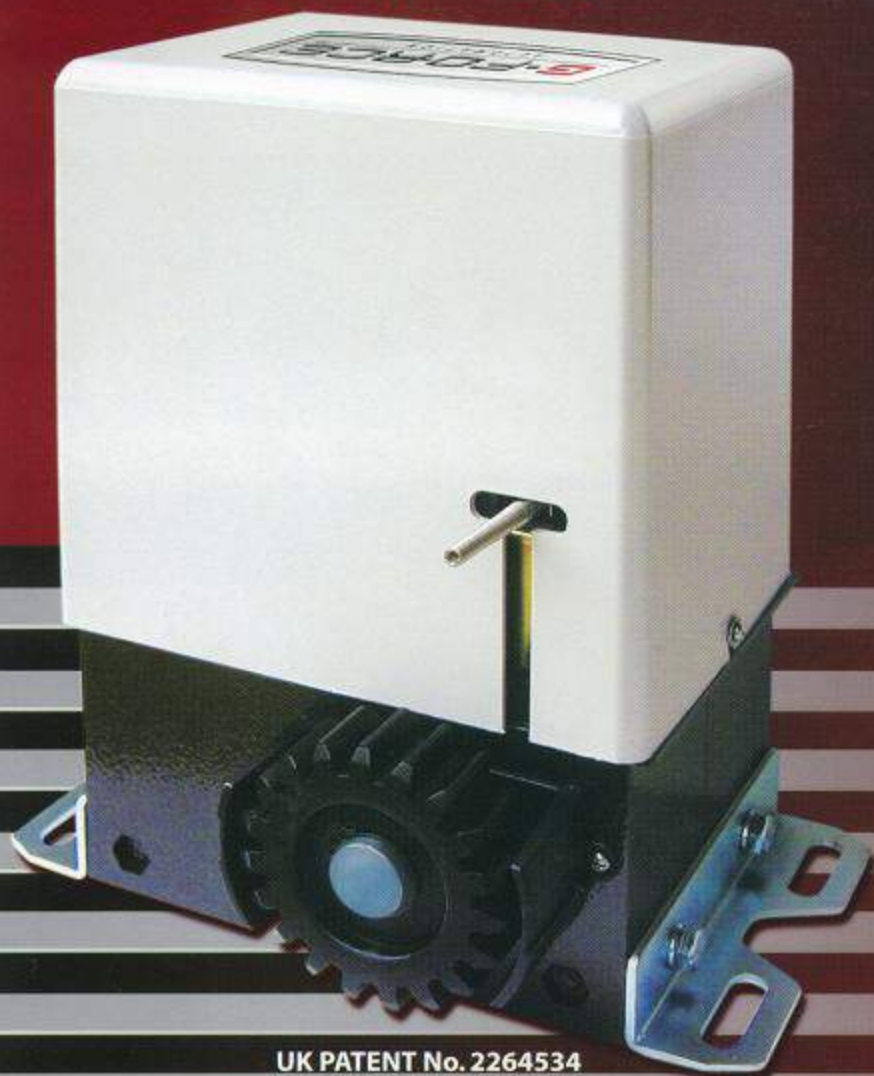
# G-FORCE

AUTOMATION

## AUTOMATIC SYSTEM FOR RESIDENTIAL SLIDING GATES

You'll never have to get out of your car again in the rain or late at night to open your gate. Simply use the Handset to open your gate from your car. It's that easy!

Model: SL 1000



UK PATENT No. 2264534  
MY 108093-A



1 Year Warranty

Very  
Convenient



Improve  
Security



Save  
Time



Unbeatable  
Value



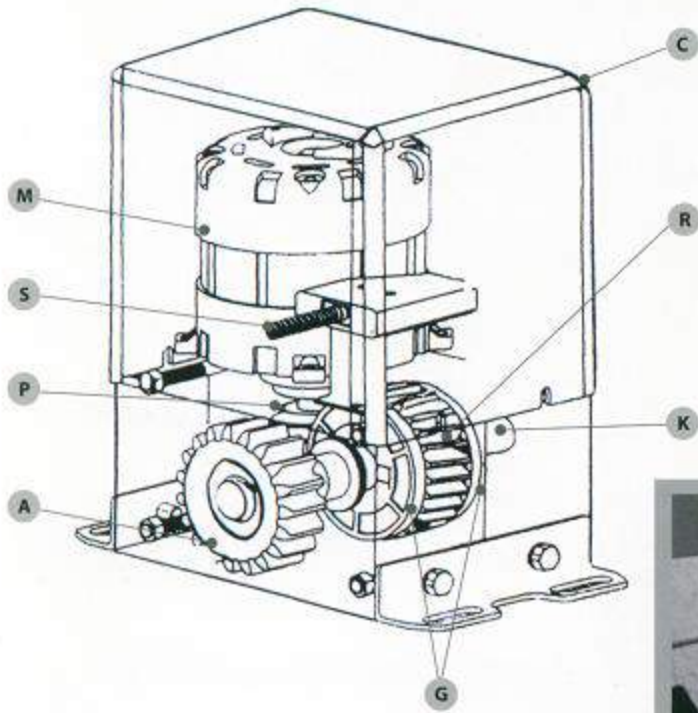
Reliable



Peace of  
Mind



# Model: SL 1000



## CONFIGURATION

Single Phase induction motor couple with Worm Gear Speed Reducer with manual override release Patented Mechanical Clutch.

## Legend

- M** : 4 Pole Electric Motor with Thermal Protection
- P** : Solid Shaft Worm - Wheel Screw
- R** : Reduction Unit - Helical Gear
- G** : Clutch between Helical Gear and Drive Shaft
- K** : Pinion Key Emergency Release
- S** : Contact Limit Switches
- C** : Removable Water Proof Casing
- A** : Black Pinion Gear 4mm



<b>Operating Voltage</b> : AC 220-240V 50Hz	<b>Safety Cut-Off/ Auto Reverse</b> : Electronic Load Surge Detector
<b>Output Power</b> : 600 W	<b>IR Safety Beam</b> : Optional
<b>Motor Rotation Speed</b> : 1400 RPM	<b>Safety Limit Timer</b> : Yes
<b>Max.Weight of Gate</b> : 1,000kg	<b>Automatic Lighting Control</b> : Yes
<b>Linear Speed</b> : 10m/min	<b>Lubrication</b> : Oil Bath Gear Motor
<b>Transmission Type</b> : Gear Rack and Pinion	<b>Remote Controller</b> : 2-Channels 315 MH2 UH

### Standard Kit Contents

- 1 pc AC Sliding Gates Motor
- 4 pcs Row Plug
- 4 meter Gear Rack
- 2 pcs Limit Switch Brackets
- 2 pcs Emergency Release Allen Key
- 3 pcs Remote Control Hand Sets
- 1 pc Receiver
- 1 pc P.C. Electronic Control Panel

### Optional Items

- Photocell
- Loop Coil Detector
- Warning Light

Dealer: